

# Tablethouder met inklapbare arm voor 990

h.F990TAB



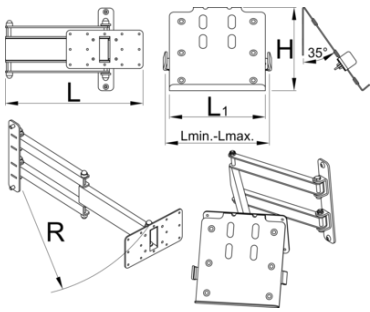
## Profielen

---



## Product attributen

- Foldable tablet holder mounts to the Unior work bench support and provides optimal placement for tablet. The setup will make work more comfortable and productive as the tablet will be right where you need it. Holder features protective rubber on the surface to prevent tablet from scratching and adjustable arm to accommodate tablets with width from 210 mm to 340 mm. Holder mounts under 67 degrees angle for easier swiping and better view and can be rotated 90 degrees left or right. Foldable arm is 500 mm long and allows to pull the holder closer to you if needed or move it out of work area when not in use.



	<b>L</b>	<b>L1</b>	<b>L↓</b>	<b>L↑</b>	<b>B</b>	<b>R</b>	
625956	360.5	200	210	340	213	520	4400

\* Afbeeldingen van producten zijn symbolisch. Alle afmetingen zijn in mm en gewicht in gram. Alle vermelde afmetingen kunnen variëren in tolerantie.

## Gebruik (Afbeeldingen)

