

Small parts organizer with foldable arm for 990

h.F990PB



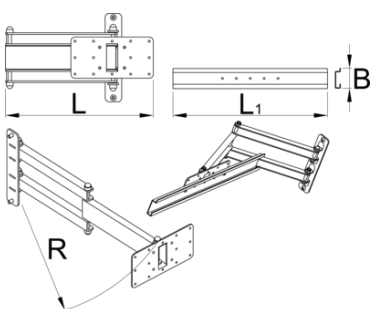
Profiles



Product features

Foldable small parts organizer mounts to the Unior work bench support and provides optimal placement for it. The setup will make work more comfortable and productive as the smaller parts will be right where you need it. Parts organizer can be rotated 90° left or right, foldable arm is 500 mm long and allows to pull the organizer or fold it out of work area when not in use. Organizer is compatible with all sizes of plastic boxes in our range.

- Plastic boxes are not included with organizer and are sold separately.





L

L1

B

R



625954

360.5

500

65

520

3900

* Ürünlerin resimleri semboliktir. Bütün boyutlar mm ve ağırlık gram cinsindedir.

Usage (pictures)

