

Boru kesici

360/6B

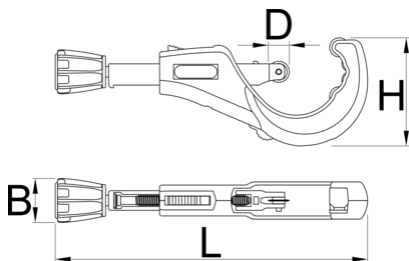


Product features

- instant wheel change
- ergonomic knob
- 4 rollers for a better fastening of the tube and smooth operation
- spare cutting wheel in handle
- possible individual use of burr NOGA removal tool
- quick-release system

Kullanım:

- for cutting cooper, aluminium, inox and steel tube of maximum thickness till 2mm



626188



6 - 76



1/4" - 3"

B

41.4

D

19.8

H

1018



245



334



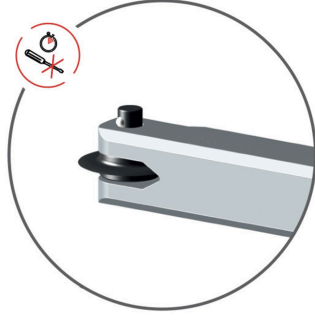
890

* Ürünlerin resimleri semboliktir. Bütün boyutlar mm ve ağırlık gram cinsindedir.

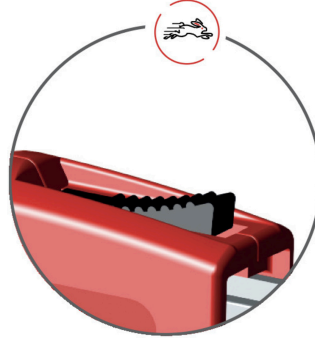
Usage (pictures)



4 rollers for a better fastening of the tube and smooth operation



instant wheel change



quick-release system



spare cutting wheel in handle



possible individual use of burr NOGA removal tool

Spare parts



kesme diski

Related products



Boru kesici



Boru kesici



Boru kesici