

Kapëse për riparim Master shop

1693.1M

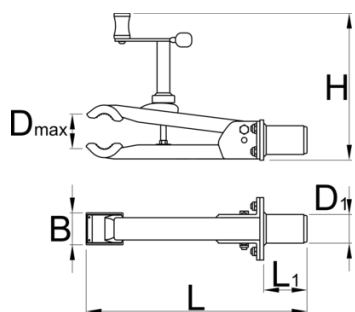


Product features

Our most durable and rigid clamp is designed to support even the heaviest bikes. Clamp frame design enables the jaws to open and close parallel to each other and thus clamp the bike gently and securely in place. Thanks to round shape of clamping jaws, clamping force is distributed evenly around the clamping area. Low profile design of clamping jaws only requires 5 cm of exposed seat post for clamping. Jaws are covered in grippy replaceable rubber covers. Clamp is operated via ergonomically shaped rotating handle, which allows precise control of the clamping force. Master Shop Clamp mounting adapter is interchangeable and fits adapters for repair stands of other brands (parts not included).

- Durable and rigid, designed to support even the heaviest bikes.
- Round shape of clamping jaws allows clamping force distribution over the whole clamping area.
- Low profile, only 5 cm of exposed seat post needed to clamp the bike.
- Replaceable rubber jaw covers.
- Ergonomic rotating handle for great control of the clamping force.
- The clamp is compatible with all current Unior repair stands.

- Interchangeable adapter for compatibility with repair stands of other brands (parts not included).
- Made in Europe.



		D1	B	H	L	L1	
629164	110	45	50	271	347	68	2850

* Imazhet e produkteve janë simbolike. Të gjitha dimensionet janë në mm, pesha në gram. Të gjitha dimensionet e listuara mund të ndryshojnë në tolerancë.

Usage (pictures)



Spare parts

Replaceable rubber covers for clamp, round, 2 pcs set