

Pro road repair stand, with plate

1693RP



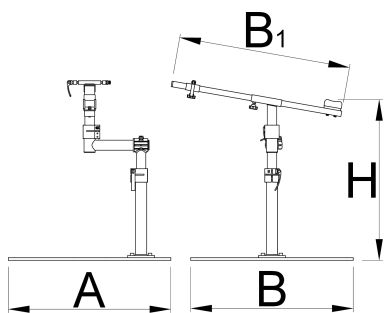
Προφίλ



Χαρακτηριστικά προϊόντος

- Pro Road Repair Stand with plate is a sophisticated product, developed in cooperation with some of the best World Tour mechanics.
- The stand has a fork mount system and is specially designed to work on bikes, where standard clamping-system is not suitable to use.
- Stand is built from strong aluminum and steel parts and is suitable for workshop use, due to its steel plate, which offers great stability
- The upper assembly is angle adjustable, while the complete stand is adjustable by height.
- The stand is suitable for work on mountain bikes as well.

- The stand can be also upgraded to support bicycles with through axles, with additional through axle adaptor – article number 1693R.2.



Όνομα προϊόντος	SKU	Art	Διαστάσεις	Ποσότητα
Pro road repair stand, with plate	628353	1693RP		2
Σταθερή πλάκα στήριξης για το 1693B		1693.4B		1
Pro road repair stand, without plate		1693RP1		1

* Οι εικόνες των προϊόντων είναι συμβολικές. Όλες οι διαστάσεις είναι σε mm, το βάρος είναι σε γραμμάρια. Όλες οι αναφερόμενες διαστάσεις μπορεί να διαφέρουν σε ανοχές.

Χρήση (εικόνες)



Παρελκόμενα



Through axle adaptor for 1693R