

Pro Shop Clamp

1693.1Q

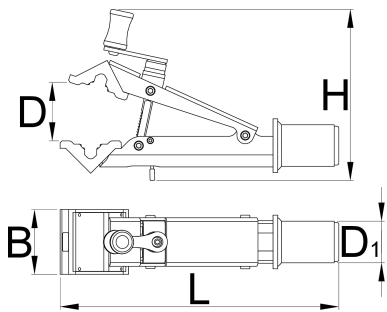


Προφίλ



Χαρακτηριστικά προϊόντος

- Pro Shop Clamp is Unior's high-end offer for bike shops. It features advanced quick release system that enable quick and efficient work on any bicycle.
- Quick release system enables the mechanic to press the jaws by hand, at which point clamp already grips the seat post of a frame with sufficient force to hold the bicycle in place. Rotate the handle and additional tension is applied to the jaws to ensure firm grip.
- Clamp can grip tubes of any shape, with diameter of minimum Ø22mm to maximum Ø60mm.
- Pro Shop Clamp has a quick release button, which is used to release the jaws after initial tension release with the rotating handle.
- Height of the jaws is 70mm, so it works with smaller sizes of seat posts as well as with dropper posts.
- The clamp is compatible with all of Unior's repair stands.



Barcode	D↓	D↑	B	H	L	D1	Weight
627095	22	60	70	185	300	45	1730

* Οι εικόνες των προϊόντων είναι συμβολικές. Όλες οι διαστάσεις είναι σε mm, το βάρος είναι σε γραμμάρια. Όλες οι αναφερόμενες διαστάσεις μπορεί να διαφέρουν σε ανοχές.

Χρήση (εικόνες)

