

# Kutija za alat, plastična

917A



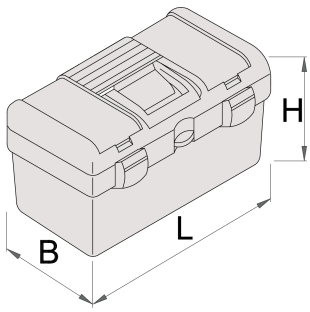
## Profili



---



## Atributi proizvoda

- material: polypropylene
- with removable tool tray inside the box
- lid contains two compartments in dimension L80 x B140 x H35 mm covered with plastic cover
- closing with plastic clip
- box can be locked with padlock



	L	B	H	
619765	514	280	260	1930

\* Slike proizvoda su simbolične. Sve dimenzije su u mm, masa je u g.

### Upotreba (pictures)



### Photo (pictures)

