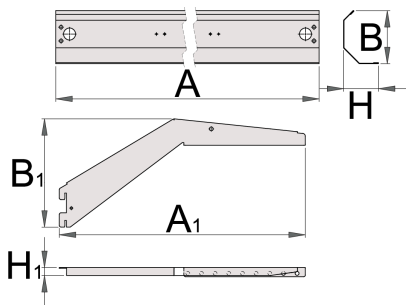




# 灯托架

990HL



## 配置文件



	L	B	H	L1	B1	H1	
625663	999	121	36,5	1010	132	17	2151
625664	1249	121	36,5	1250	132	17	2469
625665	1499	121	36,5	1485	132	17	2760

\* Images of products are symbolic. All dimensions are in mm, and weight in grams. All listed dimensions may vary in tolerance.

# Accessories

