

# Pro repair clamp, auto adjustable

1693.1-US



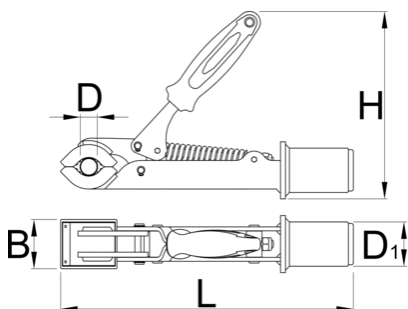
## Profiles

---



## Product features

- Suitable for tubes with diameter of min.  $\varnothing 24$  mm and max.  $\varnothing 32$  mm.





629233



24



32



50



185



298



45



1562

\* Images of products are symbolic. All dimensions are in mm, and weight in grams. All listed dimensions may vary in tolerance.

## Spare parts



Replaceable rubber covers for clamp, round, 2 pcs set

## Related products



Pro repair clamp, manually adjustable



Pro Shop Clamp



Adjustable screw for clamp 1693.1 and 1693.1S



Auto-adjust upgrade set for 1693.1S jaw



Adjustable screw for clamp 1693.1 and 1693.1S



Auto-adjust upgrade set for 1693.1S jaw