

# Y hex wrench

1781/2HX



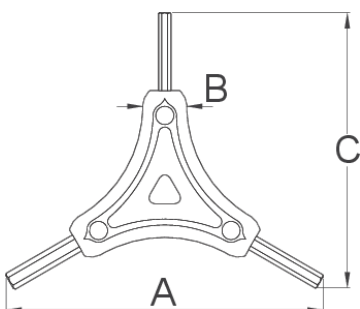
## Profiles

---



## Product features

- The plastic-injected handle offers a comfortable and compact grip, which enables efficient working while the high-quality material enables long-term use of the tool.





624028



2



2,5



3

A

122

B

16

C

106



36

\* Images of products are symbolic. All dimensions are in mm, and weight in grams. All listed dimensions may vary in tolerance.

## Usage (pictures)

