

# 1/2"冲口套筒

231/4 6p



## 配置文件

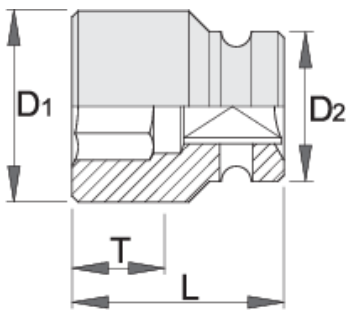





□□

ISO 2725 - 2

□□□□

- 材料：□□□
- 落□，完全淬火与回火
- 表面□理：根据DIN12476□□□□□□□□□□
- 根据ISO2725-2□□□□□□□□□□□□



		D1	D2	L	T	
603962	10	17.5	25	38	12	94
603963	11	18.7	25	38	12	95
603964	12	20	25	38	12	95
603965	13	21	25	38	12	96
603966	14	22.5	25	38	12	95
603967	15	23.7	30	38	12	140
603968	16	25	30	38	12	143
603969	17	26	30	38	13	140
609399	18	27.5	30	38	13	135
603970	19	28.7	30	38	13	126
603971	21	30	30	38	13	139
603972	22	32	30	38	13	133
603973	23	32	30	38	13	183
603974	24	35	30	45	20	235
603975	27	38.7	30	50	24	235
609400	28	40	30	50	24	255
603976	30	42	30	50	24	259
605548	32	44	30	50	24	72

\* Images of products are symbolic. All dimensions are in mm, and weight in grams. All listed dimensions may vary in tolerance.

Safety (pictures)

