

# 1,1/2" 冲口套筒

234/4 6p



## 配置文件

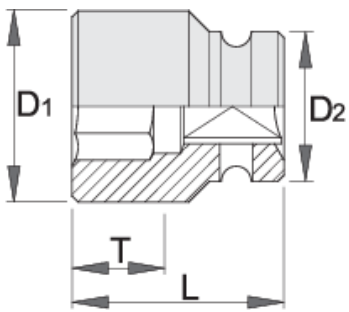


□□

DIN 3129, ISO 2725 - 2

□□□□

- 材料：□□□
- 落□，完全淬火与回火
- 表面□理：根据ISO 9717□□□□□□□□□□
- 根据ISO 2725 - 2□□□□□□□□□□□□



| Barcode | mm  | D1  | D2 | L   | T  | Weight |
|---------|-----|-----|----|-----|----|--------|
| 616790  | 80  | 119 | 86 | 115 | 54 | 5224   |
| 616791  | 85  | 125 | 86 | 118 | 52 | 5688   |
| 616793  | 90  | 131 | 86 | 123 | 52 | 6395   |
| 616794  | 95  | 137 | 95 | 123 | 52 | 6995   |
| 616795  | 100 | 144 | 95 | 130 | 59 | 7995   |
| 616796  | 105 | 154 | 95 | 130 | 59 | 8995   |

\* Images of products are symbolic. All dimensions are in mm, and weight in grams. All listed dimensions may vary in tolerance.

### Safety (pictures)

