

Stojan na centrovanie kolies, pre profesionálne využitie

1689



Profiles



Product features

We redesigned many of its features. The base has been made stronger for improved precision and we also added conical one-size-fits-all magnetic thru-axles adapters that can be stored anywhere on the base. The arms have been made longer to accommodate 29+ wheels better and the calipers widened accordingly. Threads, springs and bearings were all revised resulting in smoother operation plus less frequent calibration. Additionally, we include white high-gloss

stickers you can apply to the base and caliper arm to improve background contrast, making it easier than ever to use.

Here is a full list of the improvements.

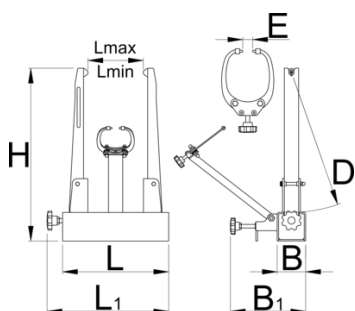
- Stronger base for improved precision
- Longer and redesigned upright arms for improved clearance of 29+ wheels and truing precision
- Wider calipers for increased clearance of 29+ wheels
- Accommodates wider axles, works with through axle hubs up to 197mm width (include the use of adapters). Max. arm opening 230mm (without the use of adapters).
- New bearings on the upright arm adjust axle are spring loaded for improved precision and reduced frequency of calibration
- Redesigned caliper tips for easier radial truing
- Revised threads and springs for smoother operation
- 8mm bench mount holes at the bottom, 268 mm center to center
- Slicker design, all black
- Comes with conical magnetic through axle adapters – one size fits all (12, 15 and 20). The adapters are now magnetic and can be affixed anywhere on the base. Features a bolt for more permanent fix on the upright arms.
- Includes white high gloss stickers, covering the base and caliper arm, for improved background contrast (stickers are not preapplied)

Compatibility:

- Accepts wheels from 16 to 29+ inch with or without tire.
- Supports solid, quick release and through axle hubs
- Through axle hubs are supported with use of the adapters (included with truing stand)
- One pair of through axle adapters support all sizes of through axles

Standard features (same as before):

- Geometria strmeňov dovoľuje simultánnu axiálnu kontrolu nastavenia kolesa.
- Mierka je poplastovaná, aby nezanechávala značku na ráfiku
- Výšku polohy ramena ako aj šírku ráfika je možné nastaviť skrutkami.
- Ak vymieňate koleso, tak pružina vráti mierku naspäť do nastavenej polohy pri meraní ďalšieho kolesa. To znamená rýchlejšiu kontrolu viacerých kolies rovnakej veľkosti.





D↑

E↑

L↓

L↑

H

L

L1



629297

390

40

40

226

485

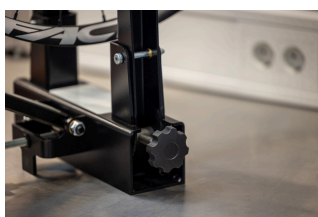
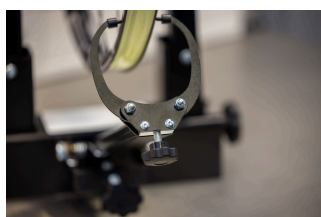
298

342

7165

* Obrázky sú symbolické. Všetky rozmery sú v mm, hmotnosť je v g. Všetky udané rozmery sa môžu líšiť v rámci tolerancie.

Usage (pictures)



Accessories



Kontrolná mierka pre stojan 1689



Brzdová mierka pre 1689



Adaptér pre 1689 / 20 mm



Cannondale Lefty ® adaptér pre centrovací stojan



Fat bike strmene pre profesionálny stojan



Pro Truing Stand Wooden Base

Spare parts



Náhradní hrot pre strmeň



Rukoväť pre 1689