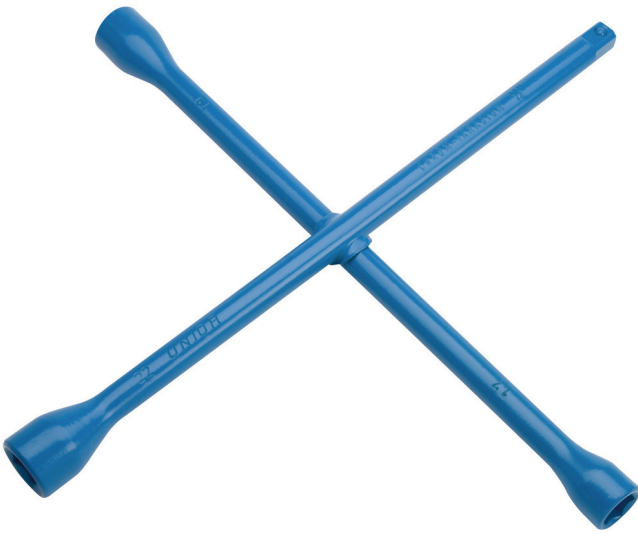


四向□□扳手

213/6



配置文件

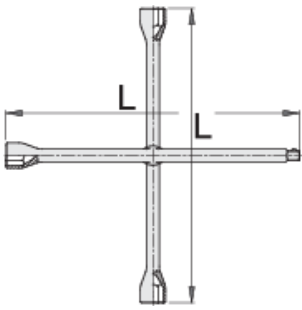


□□

ISO 6788

□□□□

- 材料：□□□
- 落□，完全淬火与回火
- 涂漆
- 根据□准ISO6788生□（只限公制□格）



Barcode	mm	mm	mm	mm	L	Weight
600811	17	19	22	1/2"	370	1430
600809	17	19	21	23	370	1511
600812	17	19	22	24	370	1500
600813	24	27	30	3/4"	700	4400
600814	24	27	30	32	700	4600

* Images of products are symbolic. All dimensions are in mm, and weight in grams. All listed dimensions may vary in tolerance.

用途 (pictures)



Photo (pictures)

