

Banco mobile

994



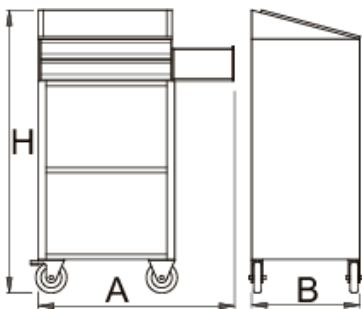
Profili



Attributi del prodotto

- materiale: lamiera di metallo PLUS premium
- superficie di lavoro con piastra mobile durevole con fibbia, formato orizzontale A3

- bordo rialzato per evitare lo slittamento della piastra
- supporto per cellulare
- scomparti portapenne
- superficie di stoccaggio profonda per accessori
- 2 cassette dim. 563x365x70 mm
- i cassette possono essere modificati con la serie di separatori 940ES3A oppure 940ES3
- 2 superfici di stoccaggio nella parte inferiore del carrello
- impugnatura ergonomica
- sistema di chiusura
- 4 ruote, una con freno
- cassette con guide con cuscinetti a sfere
- la copertura sintetica protegge i cassette e gli utensili da danneggiamenti
- laccatura ecologica con colori senza cadmio e piombo
- dimensioni standard con maniglia e perni di snodo delle ruote 770x460x1252 mm
- portata dei cassette: 45 kg
- cassette compatibili con vassoi portautensili SOS 1/3, 2/3, 3/3



Barcode	L	L1	B	B1	H	H1	Weight
612208	770	673	460.5	440	1252	1125	39000

* Le immagini dei prodotti sono puramente simboliche. Tutte le dimensioni sono in mm, peso in grammi.

Accessories



Porta per 994



Rastrelliera per utensili a parete per carrello 940EV

Parti di ricambio



Serratura con chiavi



Guida con cuscinetti a sfera



Set di ruote

Safety tips



- Lock all your drawers before trying to roll the tool carriage into a new work area.
- Set the brakes on the locking casters after you have rolled the cabinet to your work area.
- Treat your tool carriage, tool chests, or tool boxes with respect.
- Always follow the prescribed max load capacity of individual drawers and the carriage as a whole.
- Always put heavier objects in the bottom drawers
- Always close drawers when not in use.
- Always follow manufacturer manual instructions regarding assembly and repair of your tools.



- Don't open two or more drawers at the same time, there is high chance of it tipping over.
- Don't throw tools into drawer, always put the tools in.
- Don't use an opened drawer as a working surface.
- Don't clean a lacquered surface with a solvent cleaner.
- Don't pull a tool carriage as you won't be able to see where you are headed. Push it in front of you so you can see where you are going.
- Don't stack a tool carriage with too many extra chests or tool trays; it may tip over at the most unexpected time.
- Don't roll a tool carriage with loose tools or parts on top of the carriage.
- Don't roll a tool carriage too quickly; a pot hole in the floor or some hardware on the floor may cause an accident.
- Don't overload the drawers; if you haven't got room for all of your tools, you need a larger tool carriage.
- Don't open up too many loaded drawers at a time; close each drawer before opening up another. Heavily loaded opened drawers are an invitation to tipping.