

Pokretni pult

994



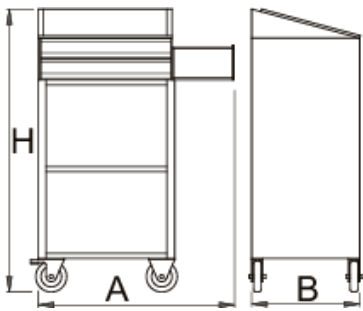
Profili



Atributi proizvoda

- materijal: PremiumPLUS lim
- working surface with mobile durable plate with buckle, size landscape A3

- raised edge for preventing plate slippage
- mobile phone stand
- holes for pen storage
- deepened storage surface for accessories
- 2 drawers L 563 x W 365 x H 70mm
- drawers can be modified with partitions set 940ES3A or 940ES3
- 2 storage surfaces in the lower part of the trolley
- ergonomic handle
- sa sistemom zaključavanja
- kotači otporni na ulja i kiseline prečnika 100mm, jedan sa kočnicom, koja blokira rotaciju točka
- police s kugličnim vodilicama
- sintetičke podloge štite ladice i alat od oštećenja
- ekološki lak bez olova i kadmija
- basic dimensions with handle and casters L 770 x W 460 x H 1252mm
- maksimalni kapacitet svake ladice: 45kg
- ladice kompatibilne sa SOS alatima 1/3, 2/3, 3/3



Barcode	L	L1	B	B1	H	H1	Weight
612208	770	673	460.5	440	1252	1125	39000

* Slike proizvoda su simbolične. Sve dimenzije su u mm, masa je u g.

Accessories



Door for 994



Pano za alat za 940EV

Rezervni dijelovi



Zaključaj sa ključevima



Klizni držač 940E1-9



Set točkova

Safety tips



- Lock all your drawers before trying to roll the tool carriage into a new work area.
- Set the brakes on the locking casters after you have rolled the cabinet to your work area.
- Treat your tool carriage, tool chests, or tool boxes with respect.
- Always follow the prescribed max load capacity of individual drawers and the carriage as a whole.
- Always put heavier objects in the bottom drawers
- Always close drawers when not in use.
- Always follow manufacturer manual instructions regarding assembly and repair of your tools.



- Don't open two or more drawers at the same time, there is high chance of it tipping over.
- Don't throw tools into drawer, always put the tools in.
- Don't use an opened drawer as a working surface.
- Don't clean a lacquered surface with a solvent cleaner.
- Don't pull a tool carriage as you won't be able to see where you are headed. Push it in front of you so you can see where you are going.
- Don't stack a tool carriage with too many extra chests or tool trays; it may tip over at the most unexpected time.
- Don't roll a tool carriage with loose tools or parts on top of the carriage.
- Don't roll a tool carriage too quickly; a pot hole in the floor or some hardware on the floor may cause an accident.
- Don't overload the drawers; if you haven't got room for all of your tools, you need a larger tool carriage.
- Don't open up too many loaded drawers at a time; close each drawer before opening up another. Heavily loaded opened drawers are an invitation to tipping.